

ERGOFAB

ergonomic equipments

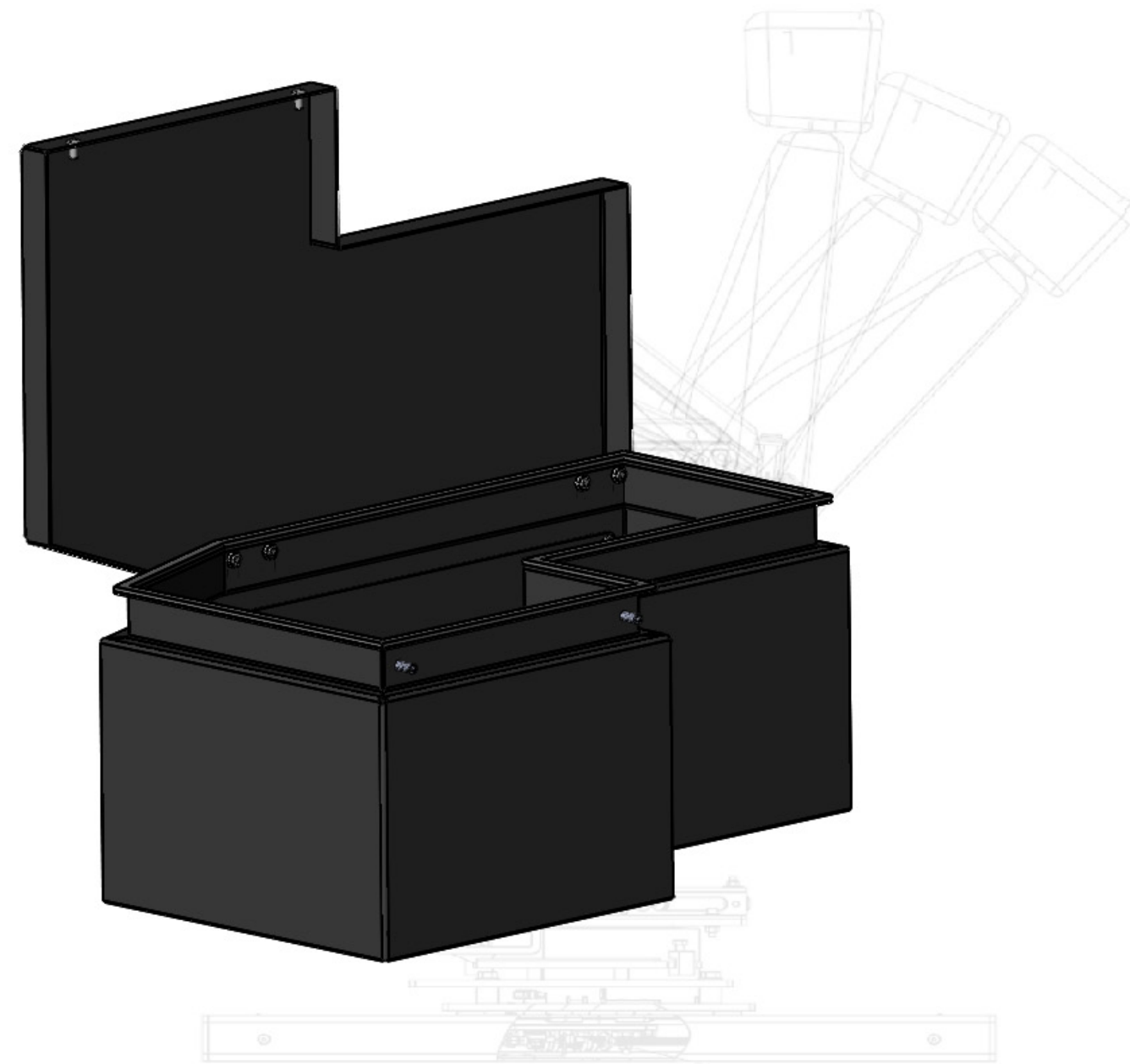
RIGHT CONSOLE 12" X 20" X 8" **0125-005-0006**

FEATURES:

- CUSTOM HOLE
- USE WITH ERGOFAB ARMREST

OPTIONS:

- CUSTOM ENGRAVING PLATE



Ergonomics seats

Workstations

Control room

Industrial cabins

Service parts

Repair service

Preventive maintenance

Company training

1846 rue des Outardes, Chicoutimi, (Qc) Canada, G7K 1H1
Phone: 1 418-696-1666 Fax: 1 418-545-8335
www.ergofab.ca

© ERGOFAB Inc. All rights reserved.

